

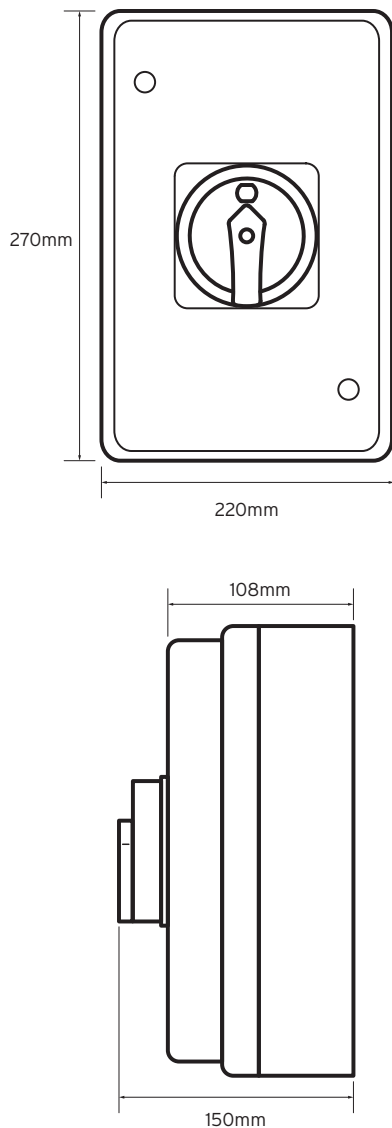


NiGLON

Industrial Accessories

ISM1004P Metal Clad Rotary Isolator

Technical Drawing



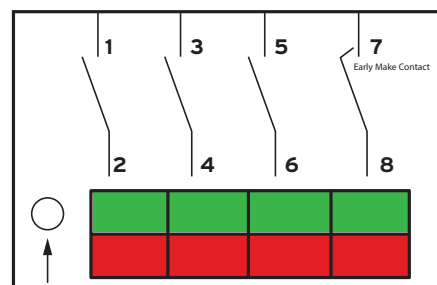
Technical Specifications

Standards	EN60947-3
Rated Current	100A
No.of Poles	4
Rated Insulation Voltage(V)	690V
Rated Operating Current(A)	100
AC-22A	100
AC-23A	100
AC-3	80
Rated Voltage(Ue)	440V
Rated Power Control(KW)	37
Rated short-time withstand current(Icw)	2000A
Connect Wire	35mm ²
Screw Torque	2 N.m

Enclosure Characteristics

Overall Dimensions HxWxD	270x220x108mm
Depth with switch	150mm
Degree of IP	IP54
Colour	RAL7035

Wiring Diagram



Note 7 = Early Make Contact